

# HFMED<sup>®</sup>

## 700LED | Shadowless Operating Lamp

- **Precise**

Uniform, homogeneous lighting in surface and deep cavity procedures thanks to 700 500LED's innovative shadow control.

- **Simple**

Our ergonomic, sterile operating concept allows for the simple and flexible control of all functions by the surgical team.

- **Durable**

Almost unlimited LED life expectancy delivers tremendous product reliability and investment protection.

- **Efficient**

Environmentally proactive: low power consumption and durable LEDs minimize the impact on our precious resources.



Official QR code



## HFMED<sup>®</sup>

YOUR IDEAL OPERATING TABLE SUPPLIER

**SHANGHAI HUIFENG MEDICAL INSTRUMENT CO.,LTD**

Address: NO.885, Qiuxing Road, Nичeng Town, Pudong New Area, Shanghai, China.

Tel: 13764286262

Mob: +86-13764286262

Email: lisa@huifeng-co.com

Web: www.sh-huifeng.com

HFMED<sup>®</sup> CE

**700LED**  
Shadowless Operating Lamp

# HFMED

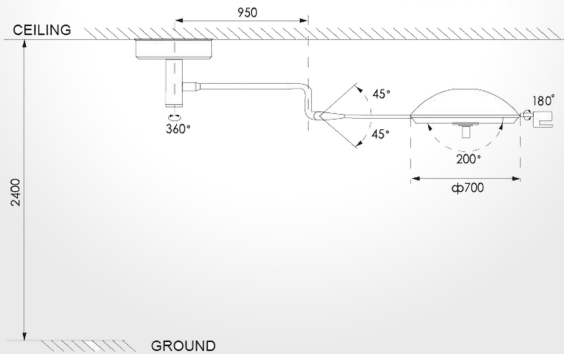
SHANGHAI HUIFENG MEDICAL INSTRUMENT CO.,LTD

A large advertisement for the HFMED 700LED Shadowless Operating Lamp. It features a central image of a doctor's hand holding a stethoscope over a globe, surrounded by medical icons like a heart, syringe, and pills. The HFMED logo and CE mark are in the top left and right. Below the image, the text reads '700LED Shadowless Operating Lamp' and 'HFMED SHANGHAI HUIFENG MEDICAL INSTRUMENT CO.,LTD'.



**INSTALLATION DIAGRAM**

**700LED**



**700LED**

**Adjustable color temperature**

Through reliable beam synthesis control technology, the color temperature can be adjusted between 3800K-5000K under the condition that the color rendering index is 93. Surgeons can adjust the color temperature according to their own habits or different surgical sites to achieve the ideal tissue contrast and achieve the best tissue resolution.



**700/500LED one key low light (Endoscope)**

The operation shadowless lamp is equipped with a one-key low light (endoscope) lighting mode, which is convenient for the surgeon to quickly switch from the general mode. It does not interfere with the doctor's field of vision and the observation of tissues during endoscopic surgery.



General mode      700LED Endoscope Mode      500LED Endoscope Mode

**Main Technical Data**

700LED <small>Adjust Color Temperature</small>	
illuminance	≥160,000Lux
Colour temperature	3800±500K 4400±500K 5000±500K
Colour reduction index(Ra)	95
Total irradiance	544W/ m <sup>2</sup>
Size of light field	250-300mm
Service life of illuminant	50,000h
Power supply voltage	AC110-240V 50/60Hz
Lowest height of installation	2900mm
Total power consumptio	80W
Total LED bulb quantity	108pcs (18*6)
illuminance depth	≥1400mm
LED bulb	3.3mW/m <sup>2</sup> lx
ENDO	YES

